

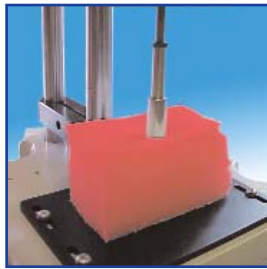
LCP/S

MANUAL TEST STAND

- 500N capacity
- easy-to-use
- high precision
- quick-acting lever
- compact and portable



Aerosol actuation



Compressive testing



Shown with digital force gauge (not supplied)

- rugged and reliable
- holes for bench mounting
- accepts digital height scales

The LCP/S, combined with a Mecmesin force gauge, is ideal for low cost, repetitive tensile and compressive testing on the production floor or in laboratories e.g. simple pull-off tests, push-in and push-out tests where quick comparative checks are required. It is an accurate, precise and dependable instrument for use when simplicity, economy and fast throughput are important.

Equipped with a quick-action lever for controlling crosshead speed and travel, the LCP/S is very easy-to-use and is fitted with a standard dovetail bracket for convenient interchangeability of Mecmesin force gauges. The LCP/S is also supplied with an adjustable stop and a fine adjustment thimble, which ensure that the moving crosshead stops at the same pre-set position during each test. An optional height scale can be added for applications which require a digital display of displacement.

versatile
easy-to-use
cost-effective

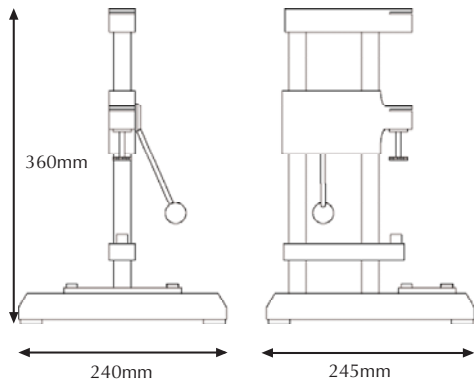
Textile testing



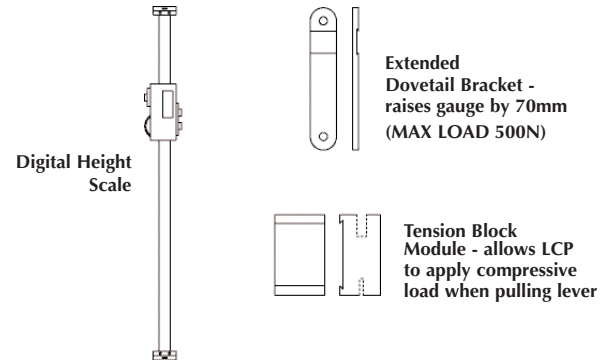
Tool testing



Dimensions



Optional Extras



Mecmesin reserves the right to alter equipment specifications without prior notice.

Specifications

Model	LCP/S
Effective travel without gauges and accessories	170mm
Linear travel per revolution	47mm
Maximum load	500N, 110lbf, 50kgf
Maximum movement of fine adjusters	8mm
Maximum movement of adjustable stop	152mm
Weight	4.5kg
Maximum load using extended dovetail bracket	200N, 44lbf, 20kgf

